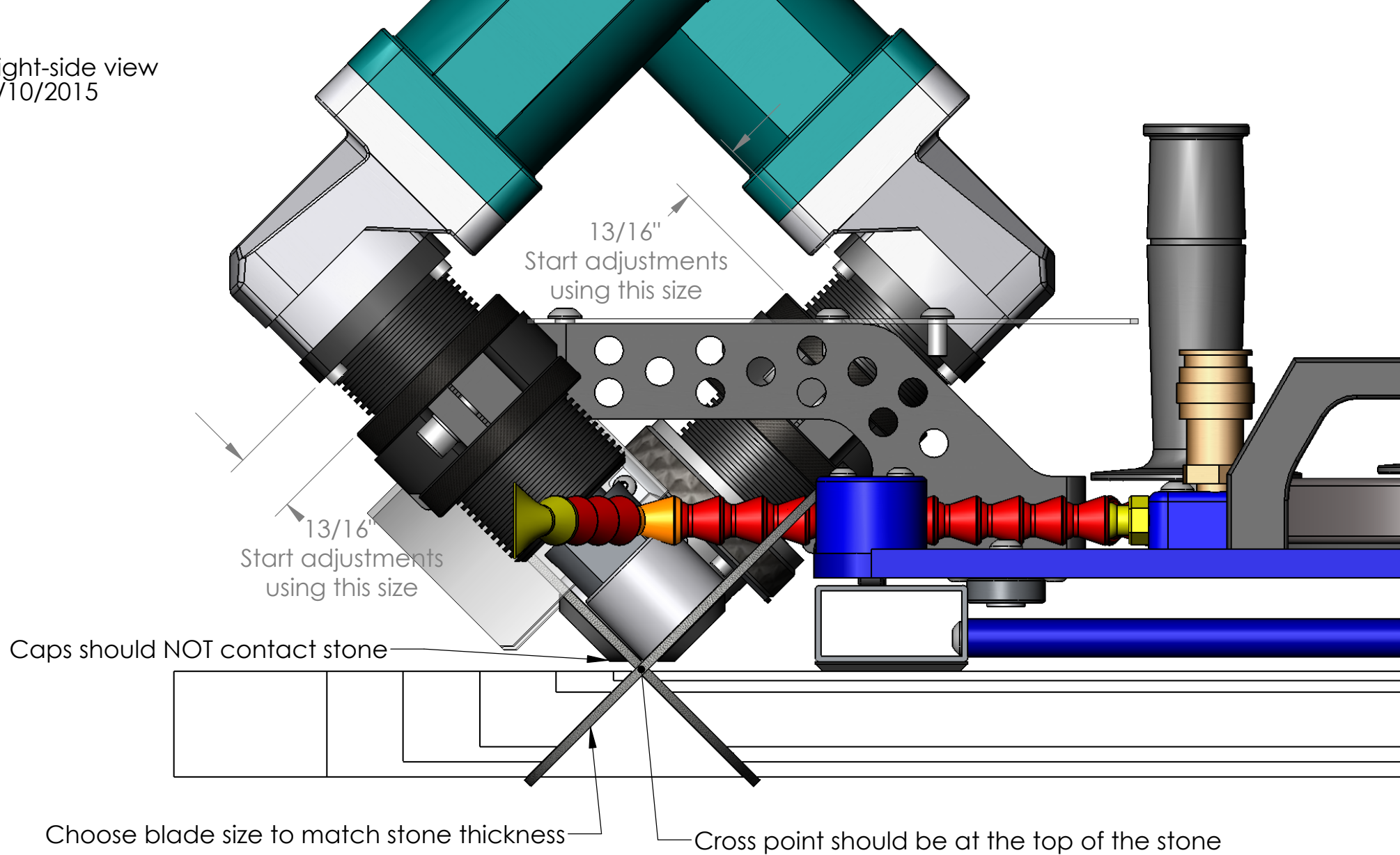


Right-side view  
9/10/2015



Recommended procedure:

1. Set one spindle to the number and verify the cap clears the stone closely.
2. Adjust the other spindle until the blade cuts in the same slot as the blade on the other arm.

At all times the caps should never touch or rub on the stone. If a cap rubs the stone, raise the offending spindle until it clears the stone and then adjust the other spindle down until it cuts through the same slot. Back beveling, and possibly surface scratching, will occur if the blades are lowered too far.